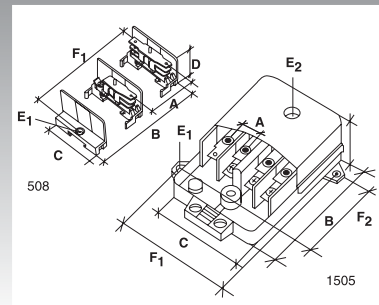
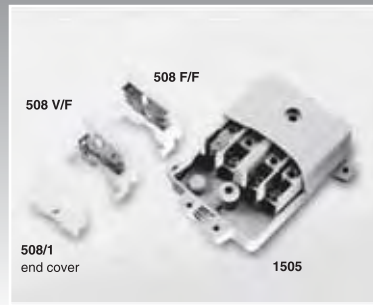


# Multi Tab Panel Mount Terminal Blocks

## Multiple Wiring Options



Description	Part Number	Part Number	Part Number	Part Number
Terminal blocks	508 F/F	508 V/F	508/1	1505
Material of the insulating body	PA 6.6 UL94 V2	PA 6.6 UL94 V2	PA 6.6 UL94 V2	PLP UL94 V2(**)
Number of poles n.	<b>Interlockable (+)</b>	<b>Interlockable (+)</b>	<b>Interlockable (+)</b>	4
<i>Dimensions:</i>				
Pitch A mm	11	11	11	11,5
Length B mm	19,2 + (n° of poles x 11)	19,2 + (n° of poles x 11)	19,2 + (n° of poles x 11)	96
Width C mm	38	38	38	58
Height D mm	29	29	29	28
Fixing hole diameter E1 E2 mm	4,1	4,1	4,1	3,6
Fixing holes interaxis F1 F2 mm	11 + (n° of poles x 11)	11 + (n° of poles x 11)	11 + (n° of poles x 11)	60 66
Tabs 6,3x0,8 mm	steel / zinc	steel / zinc		OT67 nickel plated
Working temperature °C	110	110	110	85
Packing n.	1400	1400	2000	250
Marking	on request	on request	on request	on request
	also suitable for mounting on DIN rail 15x5,5			with/without fixing wings
<i>Approvals:</i>				
 CEI EN 60998-1 CEI EN 60998-2-1	2,5mm <sup>2</sup> 16A 400V	2,5mm <sup>2</sup> 16A 400V		2,5mm <sup>2</sup> 16A 450V
 T 105 °C UL 486 E	12AWG 16A 300V	12AWG 16A 300V		on request: PA 6.6 UL94 V2 T110 °C

(+) Also available already mounted in the desired n° of poles

### Connection elements for 1505:

- A ECM / bipolar 0°
- D ECM / unipolar 0°
- N ECM B/2 mains 4 mm
- O ECM B/1 mains 4 mm 0°

