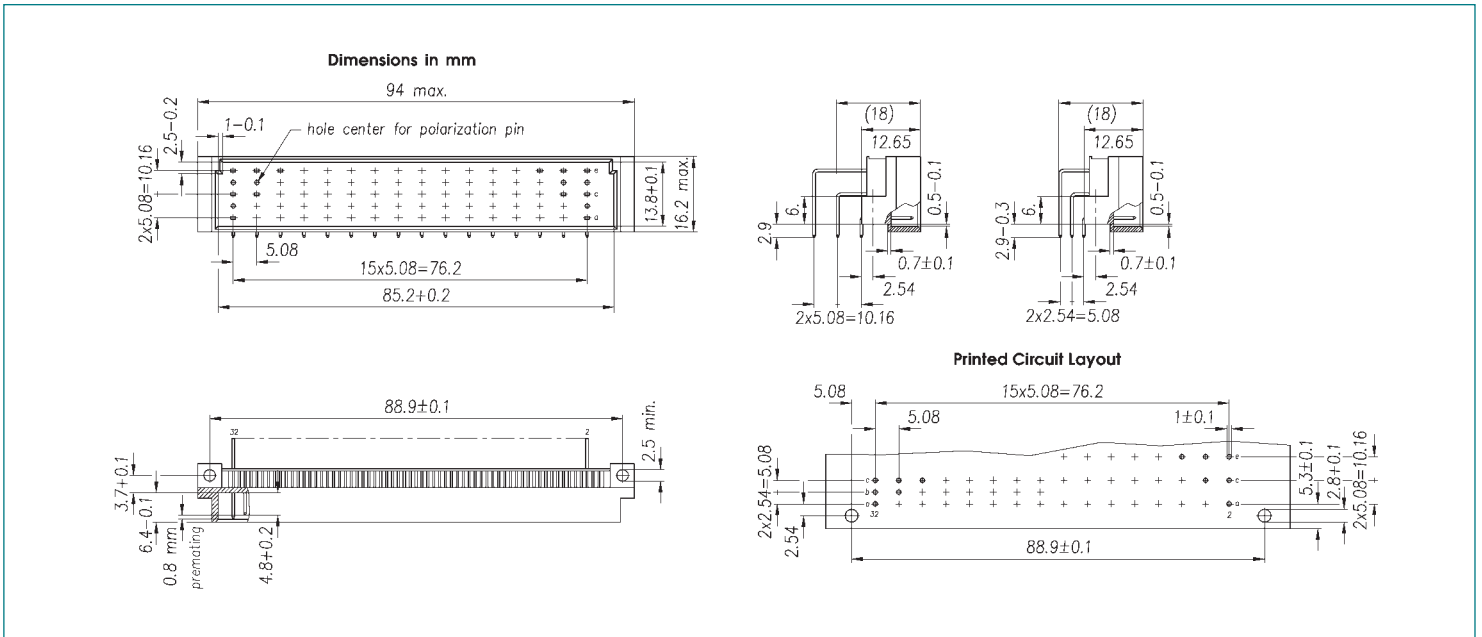


Male Connectors Type E PCB Headers



No. of Positions		32	32	48
Position		Row a,c	Row a,e	Row a,c,e
Termination Methods	Approvals	Part Numbers		
	UL/cUL	LM10740024	LM10740014	LM10740064
	UL/cUL	LM10740025	LM10740015	LM10740065
	UL/cUL	LM10740026	LM10740016	LM10740066